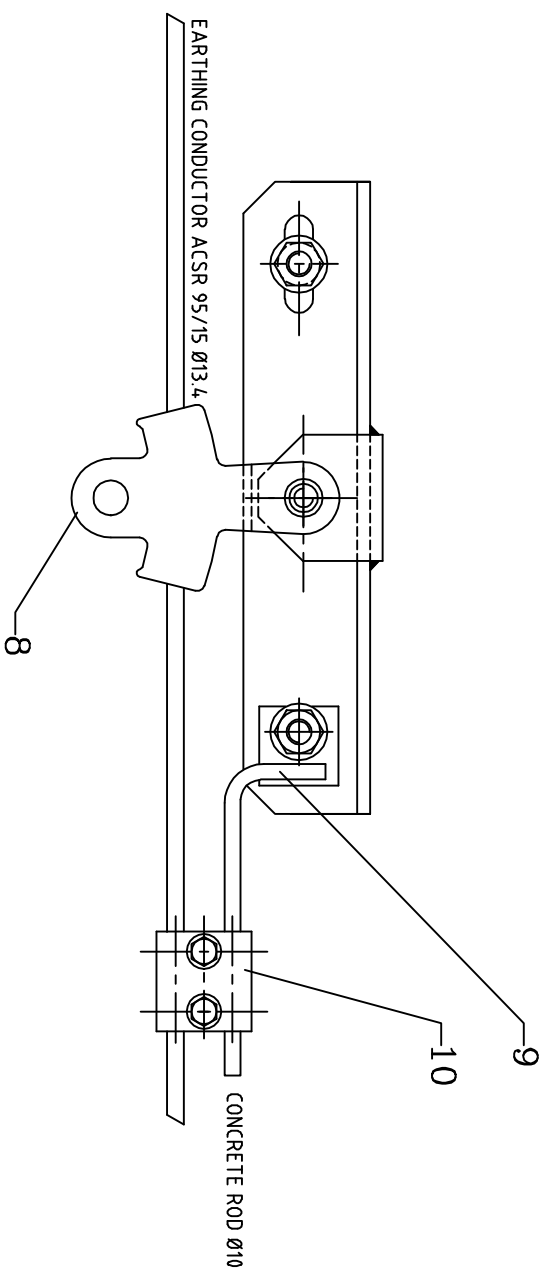
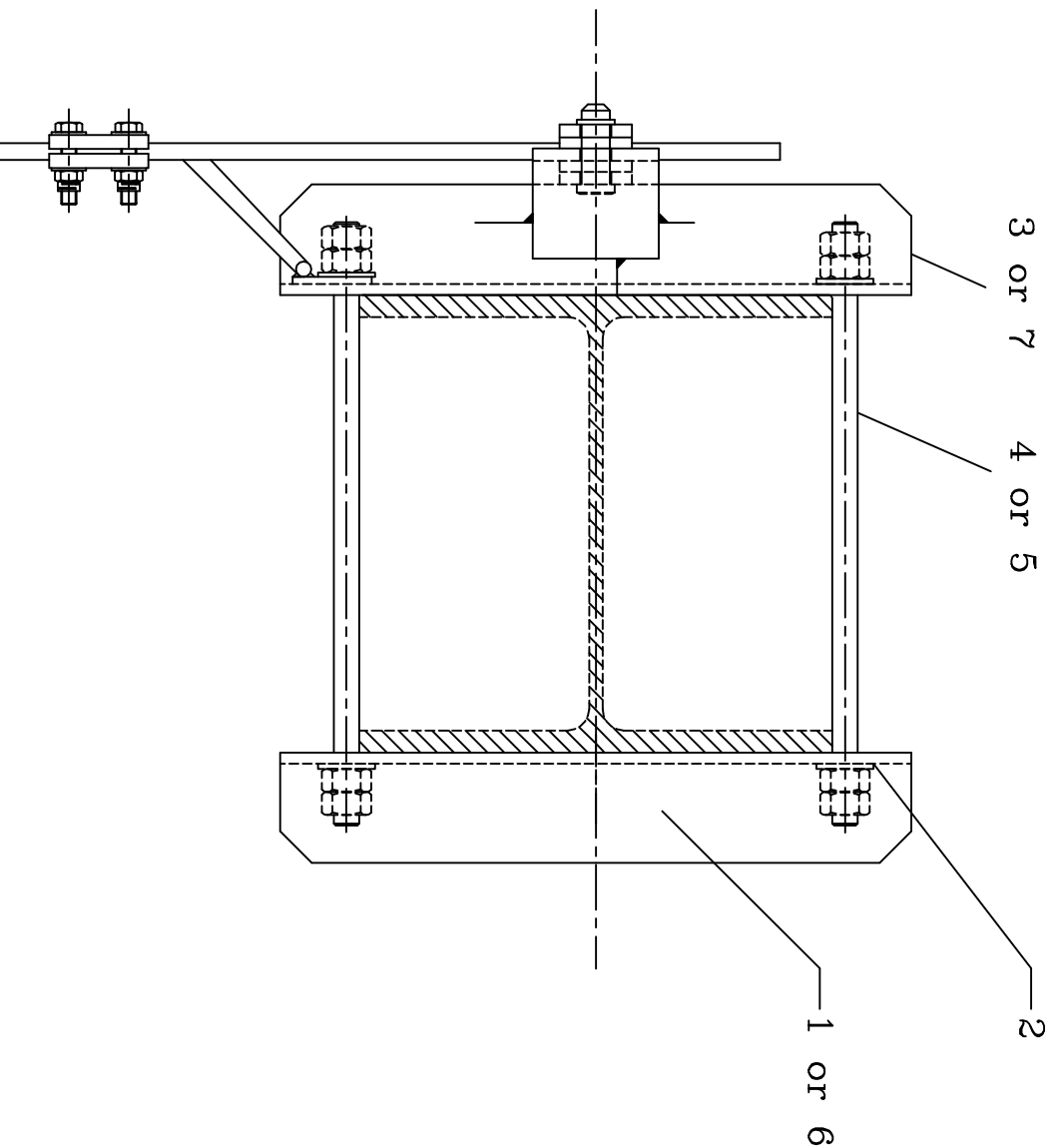
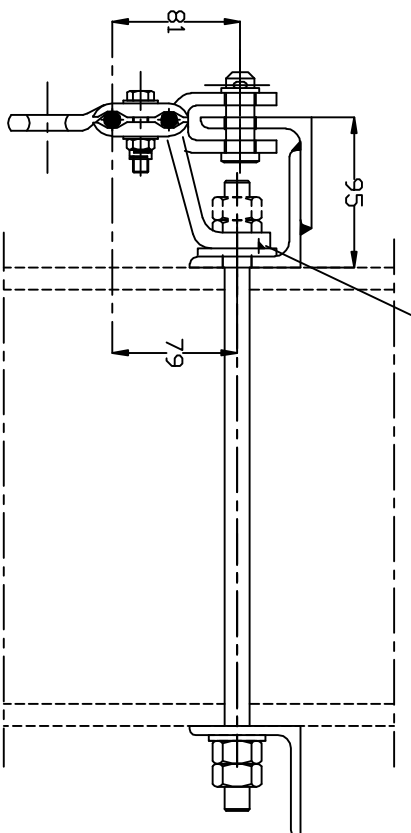


CONTINUOUS BEAD WATERPROOF WELDS MINIMUM THICKNESS: 4mm  
BETWEEN SQUARE WASHER AND CONCRETE ROD




MARK. GROUP		QUANTITY												
PR21078	102	1	1	1	1	1	1	1	1	1	1	1	1	1
PR20133	101													
ITEM	DESIGNATION	UNIT MASS kg	REFERENCE DRAWING	MARK										
10	CLAMP	0.59	ELC 2-4.0											
9	EARTHING CONNECTION		03LC00BDDG260	101										
8	EARTHING CONDUCTOR SUSPENSION TYPE I	1.30	ELC 13-14.0											
7	COUNTERPLATE WITH EARTHING CONDUCTOR		03LC00BDDG102	102										
6	COUNTERPLATE		03LC00BDDG090	102										
5	THREADED ROD M16 - 350/100		03LC00BDDG141	1611C2										
4	THREADED ROD M16 - 450/100		03LC00BDDG141	1611E2										
3	COUNTERPLATE WITH EARTHING CONDUCTOR		03LC00BDDG102	101										
2	WASHER M16N		03LC00BDDG142	161110										
1	COUNTERPLATE		03LC00BDDG090	101										

Projectat		Material:	
Desenat		Scara:	
Verificat			
Contr.STAS			
Aprobat			

Inlocuieste desen nr. :	20133;21078	Pag.	
Nr. inventar :			

**EARTHING CONDUCTOR FASTENING**  
- BDG072

DIRECTIA INDUSTRIE  Data: SUPORT SUSTINATOR CABLU COL. H24Q,H320